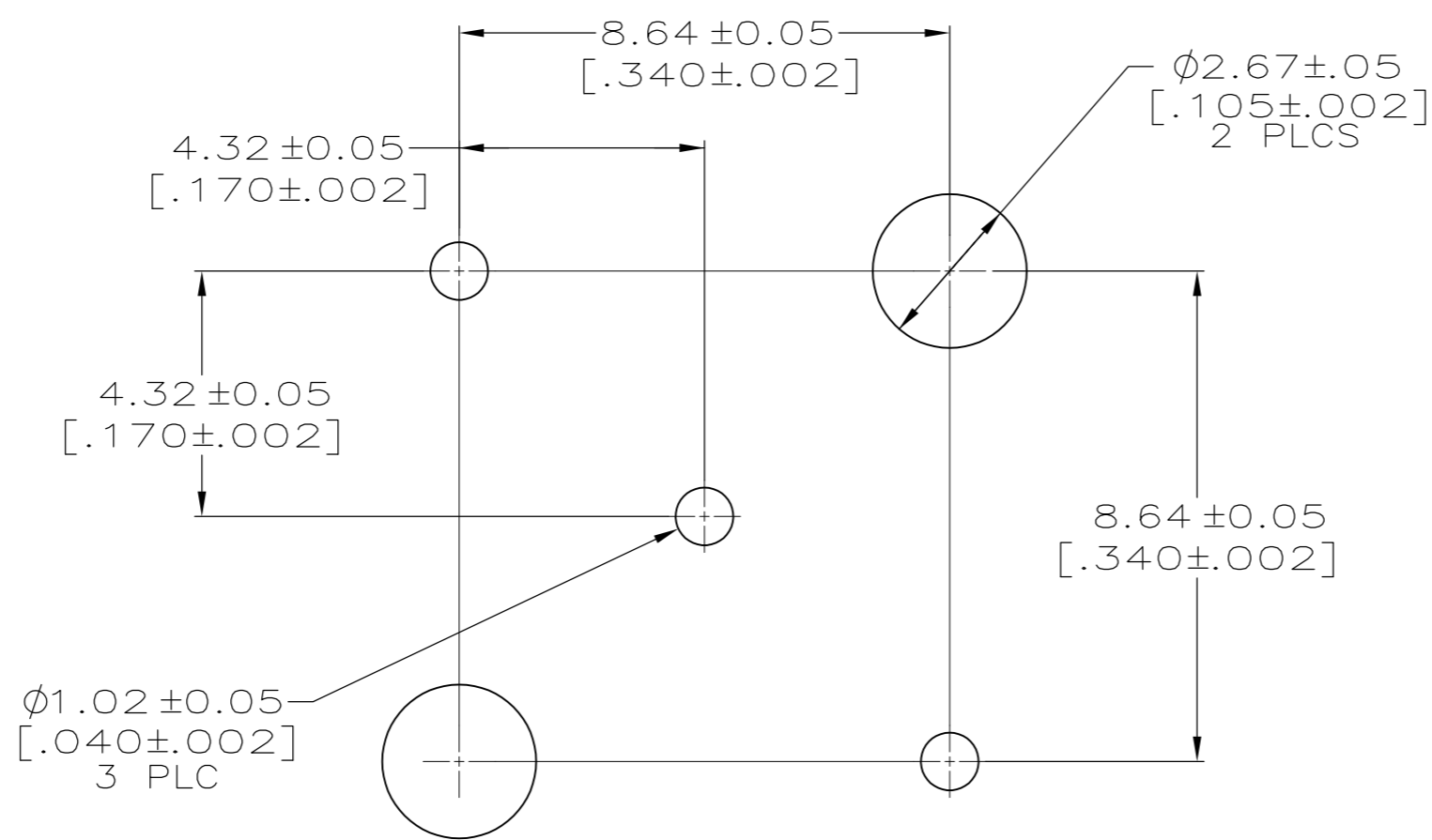
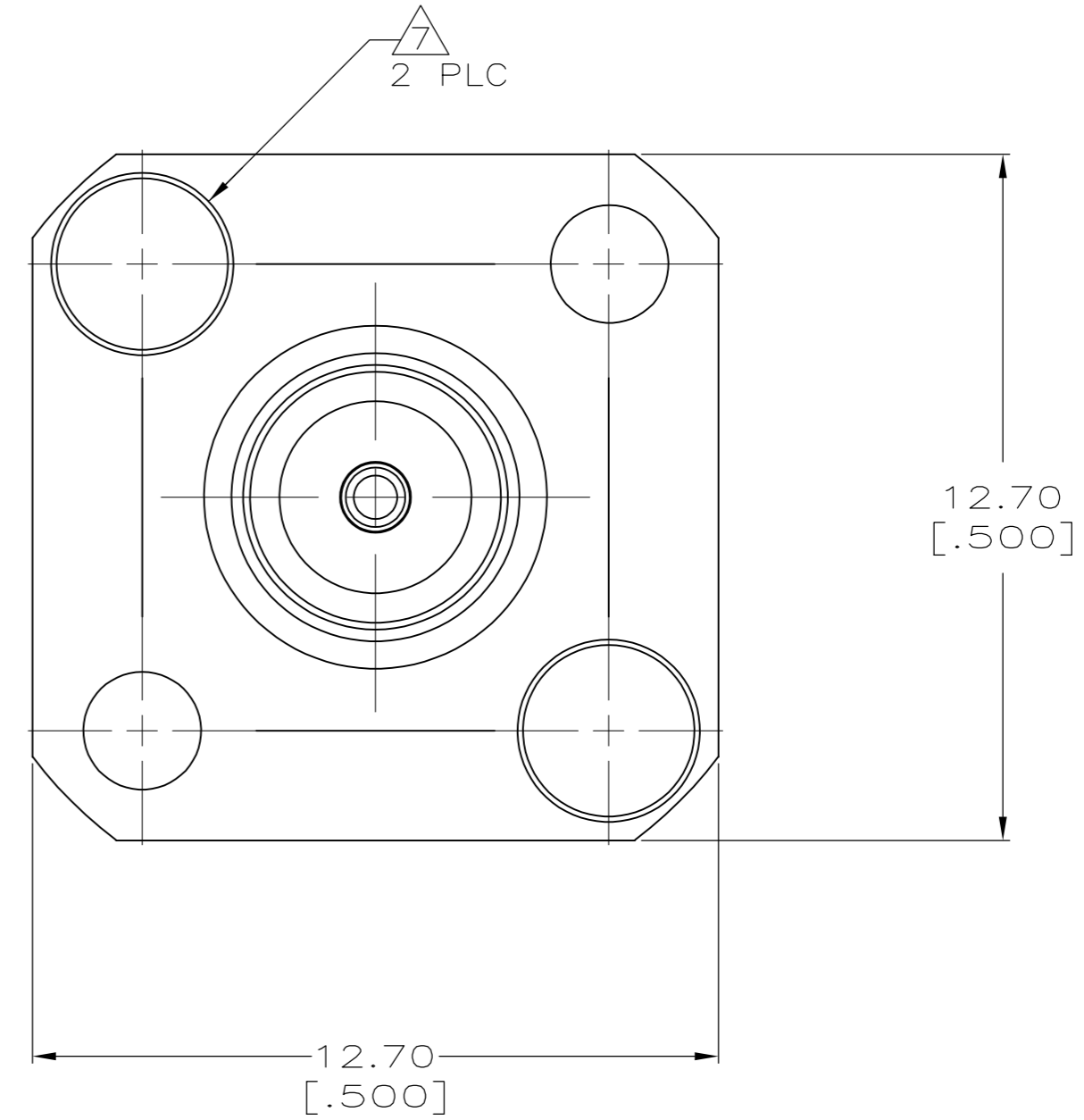
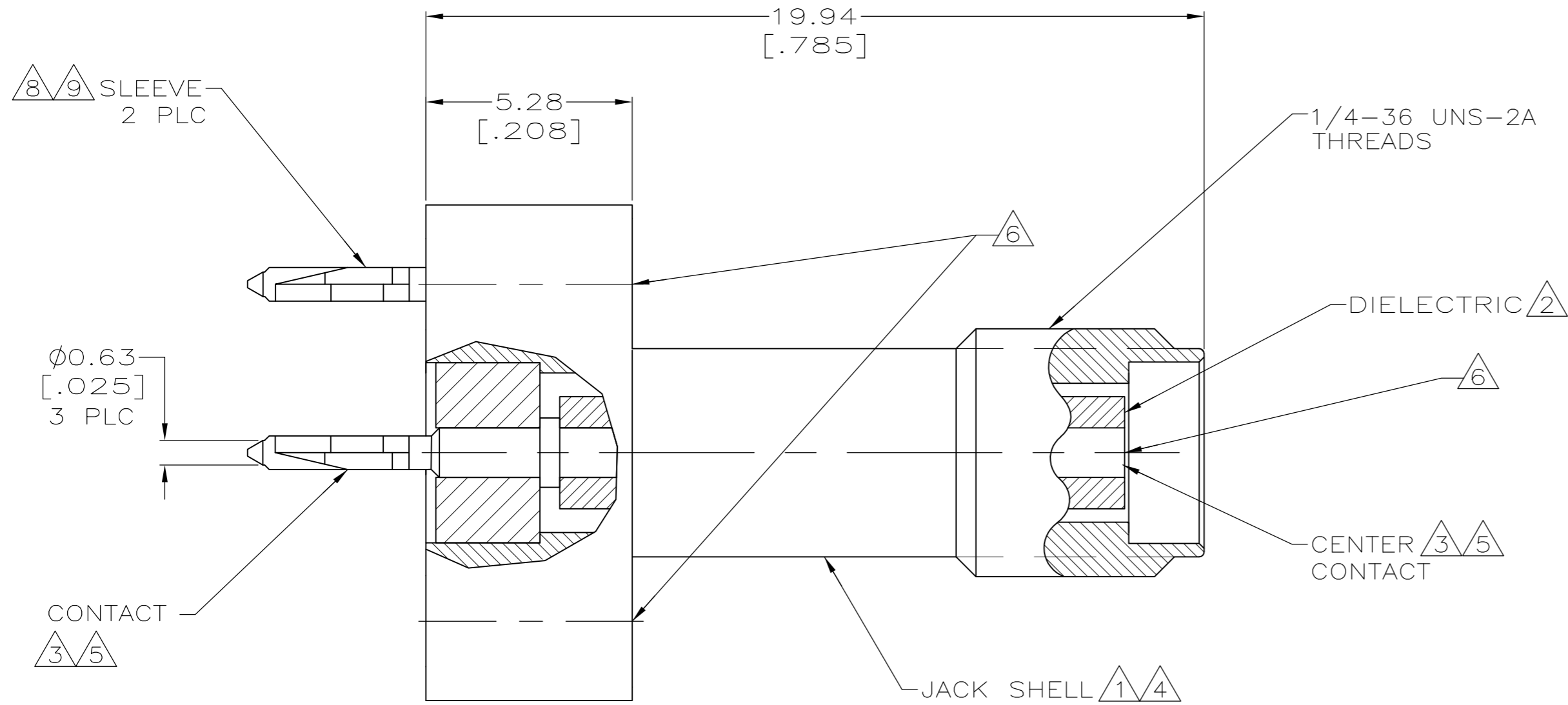


THIS DRAWING IS UNPUBLISHED. RELEASED FOR PUBLICATION
 © COPYRIGHT - By - ALL RIGHTS RESERVED.

LOC	DIST	REVISIONS			
P	LTR	DESCRIPTION	DATE	DWN	APVD
AJ	16	A	ECR-12-005726	27MAR12	RK MY

- ① BRASS PER ASTM-B-16.
- ② PTFE PER ASTM-D-1710.
- ③ BERYLLIUM COPPER PER ASTM-B-196.
- ④ NICKEL PLATE PER QQ-N-290.
- ⑤ GOLD PLATE PER ASTM-B-488.
- ⑥ APPLY FORCE IN THESE AREAS TO ASSEMBLE CONNECTOR INTO PC BOARD.
- ⑦ 2-56 UNC-2B.
- ⑧ PHOS BRONZE PER ASTM-B-139.
- ⑨ TIN PLATE PER ASTM-B-545.



RECOMMENDED PCB CONFIGURATION

6274096-1
 PART NUMBER

THIS DRAWING IS A CONTROLLED DOCUMENT.		DWN L VARELA - DOCK5 02FEB2005	TE Connectivity	
DIMENSIONS: mm [INCHES]		CHK J. HAVENER 02FEB2005		
TOLERANCES UNLESS OTHERWISE SPECIFIED:		APVD D. CAMELIO 02FEB2005	NAME JACK, ACTION PIN, PCB, SMA	
0 PLC ± -	1 PLC ± -	PRODUCT SPEC -	SIZE A2	CAGE CODE 00779
2 PLC ± 0.13 [.005]	3 PLC ± -	APPLICATION SPEC -	DRAWING NO C-6274096	RESTRICTED TO -
4 PLC ± -	ANGLES ± -	WEIGHT -	SCALE 1:1	SHEET 1 OF 1
MATERIAL ①②③	FINISH ④⑤	CUSTOMER DRAWING	REV A	